



TIANJIN RENHE JUNCHENG
TECHNOLOGY DEVELOPMENT CO.,LTD

ADD: A1-1-1, International Industrial City, XEDA, Xiqing District, Tianjin China

TEL: +86(0) 22 8720 4660 +86(0) 22 8720 4780 +86(0) 22 8720 4360

WEB: www.tjrhc.com



Scan QR code for more information



Renhe Juncheng Micromotor Handpiece

**International Brand/High-quality
Dental&Jewelry**

Explore innovation

Company Profile

Tianjin Renhe Juncheng Technology Development Co.,Ltd located at XEDA International Industrial City of Xiqing Economic Development Area A1-1,RHJC was founded in January.19th,2017.The company's registered capital is 25 million,The total investment is 50 million,The workshop area is nearly 6300 m².

The company mainly engaged in producing manicure pedicure micromotor handpiece,dental micromotor handpiece,laboratory micromotor handpiece, portable micromotor and so on. It is professional in independent research and development and product quality is reliable. The products have been recognized by different customers from over 50 countries and regions of the world,earning us numbers international partners of long term.We always strive for better quality and innovation,aiming for a global leading brand in medical appliances and we have professional group who work to upgrade and optimize our products to improve technical content and working efficiency to make our company more competitive in the market.



Establishment of good cooperative relationship between enterprises and customers and build a first-class benchmarking enterprise

The company has world advanced processing equipment and professional technology, modern management mode, and perfect quality management system. All managers and production technicians have received good quality management system training.

All staff will spare no effort to continue to work hard to create an international first-class Micromotor brand.



CONTENT

PRIME Brushless

PRIME SENSE A7	-----	01
PRIME SENSE A6	-----	02
PRIME 926	-----	03
PRIME 115	-----	04
PRIME 407	-----	05
PRIME 407-50EI	-----	06
PRIME 202	-----	07
PRIME 202-50EI	-----	08
PRIME 221	-----	09
PRIME 1210E	-----	10
PRIME 1210D	-----	11
PRIME 1210N	-----	12

RENHE DC Motor

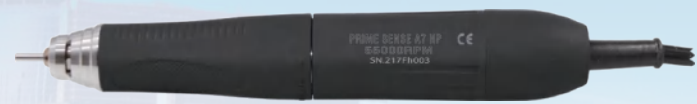
RENHE 505D-45K	-----	13
RENHE 505D-38K	-----	14
RENHE SENSE A3a	-----	15
RENHE 119	-----	17
RENHE 119S	-----	18
RENHE 119-35E	-----	19
RENHE 119-35EI	-----	20
RENHE 315	-----	21

HANDPIECE

Brushless Handpiece	-----	23
DC Motor Handpiece	-----	24

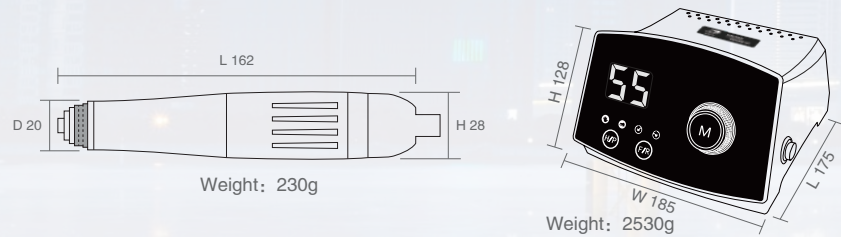
PRIME SENSE A7

- Brushless motor
- Max speed: 55000.RPM
- Output voltage: 0 ~ 36V
- Output power: 240W
- Maximum torque: 8.5 N.cm
- Pedal constant speed function
- Hand/pedal speed control
- Touch button
- Forward/reverse
- Overload protection function
- Fault prompt function



PRIME SENSE A7 HP

Specification of one set	
Size	33*33*16cm
Weight	4.4kg
Specification(carton 6 sets)	
Box size	68.5*35.5*50cm
Weight	28kg



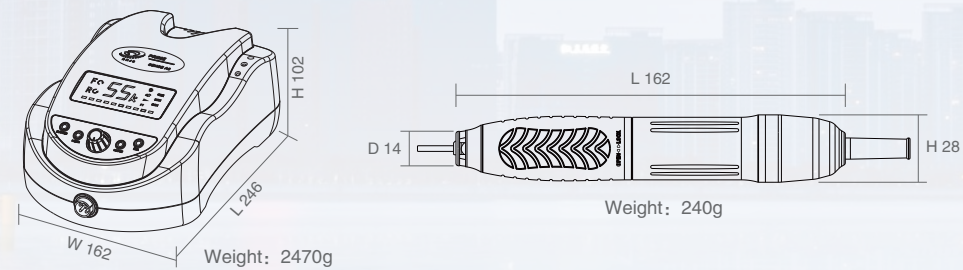
PRIME SENSE A6

- Brushless motor
- Max speed: 55000.RPM
- Output voltage: 0 ~ 36V
- Output power: 230W
- Maximum torque: 8.0 N.cm
- Pedal constant speed function
- Hand/pedal speed control
- Overload protection function
- Forward/reverse
- Fault prompt function
- Low/medium/High Speed



PRIME SENSE A6 HP

Specification of one set	
Size	30.8*28.1*12.6cm
Weight	4.1kg
Specification(carton 6 sets)	
Box size	60.5*36*44.5cm
Weight	26kg



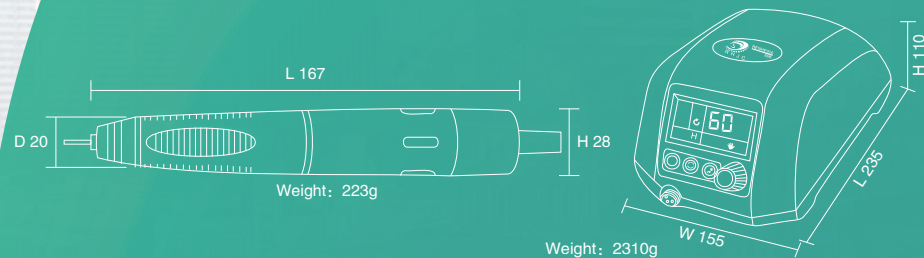
PRIME 926

- Brushless motor
- Max speed: 60000.RPM
- Output voltage: 0 ~ 36V
- Output power: 250W
- Maximum torque: 9.2 N.cm
- Liquid crystal display
- Hand/pedal speed control
- Low//High Speed (40K/60K rpm)
- Forward/reverse
- Overload protection function
- Fault prompt function
- Pedal constant speed function



PRIME 926 HP

Specification of one set	
Size	30*26*14cm
Weight	4.5kg
Specification(carton 6 sets)	
Box size	56*35*46cm
Weight	28.5kg



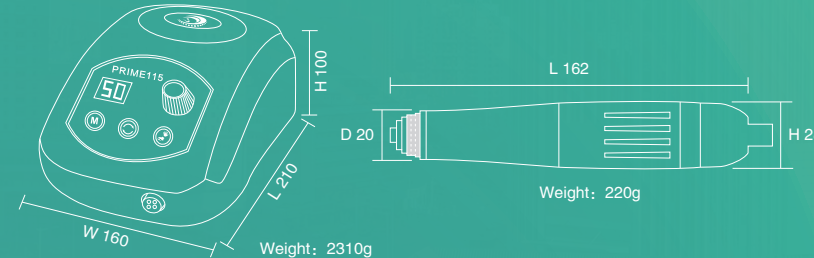
PRIME 115 HP

PRIME 115

- Brushless motor
- Max speed: 50000.RPM
- Output voltage: 0 ~ 36V
- Output power: 210W
- Maximum torque: 7.2 N.cm
- Hand/pedal speed control
- Forward/reverse
- Overload protection function
- Fault prompt function
- Pedal constant speed function

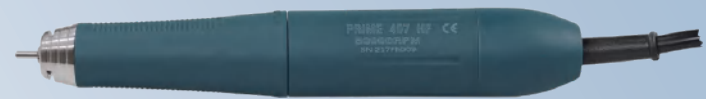


Specification of one set	
Size	30*26*14cm
Weight	4.3kg
Specification(carton 6 sets)	
Box size	56*35*46cm
Weight	27kg

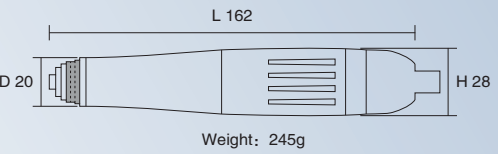
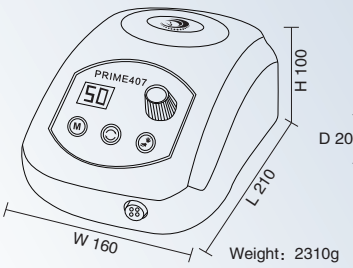


PRIME 407

- Brushless motor
- Max speed: 50000.RPM
- Output voltage: 0 ~ 36V
- Output power: 230W
- Maximum torque: 8.0 N.cm
- Hand/pedal speed control
- Forward/reverse
- Overload protection function
- Fault prompt function
- Pedal constant speed function



PRIME 407 HP



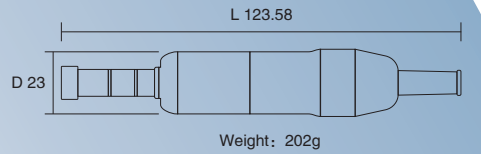
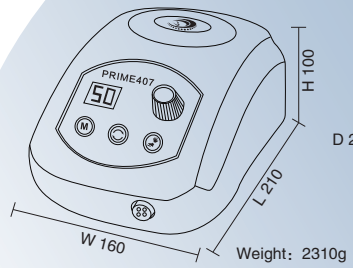
Specification of one set	
Size	30*26*14cm
Weight	4.3kg
Specification(carton 6 sets)	
Box size	56*35*46cm
Weight	27kg

PRIME 407 / 50EI

- Brushless motor
- Max speed: 50000.RPM
- Output voltage: 0 ~ 36V
- Output power: 230W
- Maximum torque: 8.0 N.cm
- Hand/pedal speed control
- Forward/reverse
- Overload protection function
- Fault prompt function
- Pedal constant speed function



PRIME 50EI-TYPE



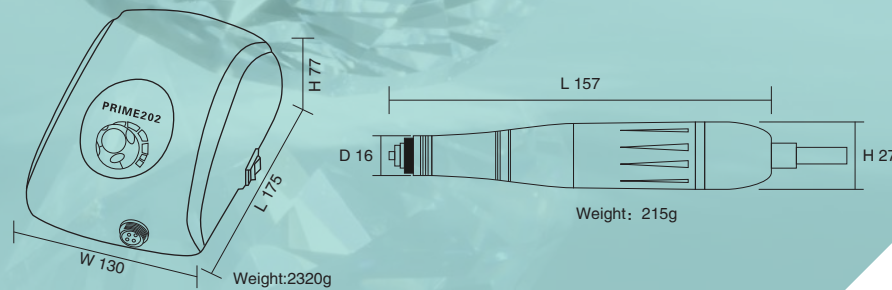
Specification of one set	
Size	30*26*14cm
Weight	4.2kg
Specification(carton 6 sets)	
Box size	56*35*46cm
Weight	26.6kg

PRIME 202

- Brushless motor
- Max speed: 50000.RPM
- Output voltage: 0 ~ 36V
- Output power: 100W
- Maximum torque: 4.8 N.cm
- Hand/pedal speed control
- Forward/reverse
- Overload protection function
- Pedal constant speed function



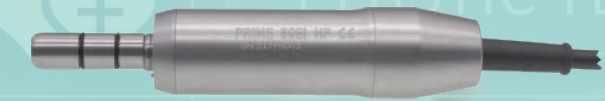
PRIME 202 HP



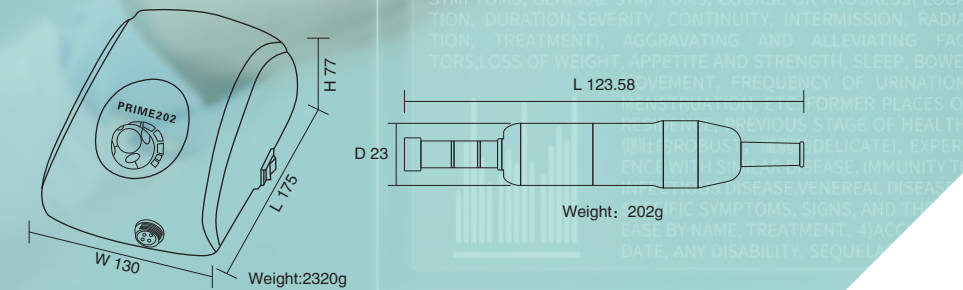
Specification of one set	
Size	27*25*10cm
Weight	2.7kg
Specification(carton 8 sets)	
Box size	53*41*37cm
Weight	23kg

PRIME 202 / 50EI

- Brushless motor
- Max speed: 50000.RPM
- Output voltage: 0 ~ 36V
- Output power: 100W
- Maximum torque: 4.8 N.cm
- Hand/pedal speed control
- Forward/reverse
- Overload protection function
- Pedal constant speed function



PRIME 50EI-TYPE



Specification of one set	
Size	27*25*10cm
Weight	2.62kg
Specification(carton 8 sets)	
Box size	53*41*37cm
Weight	22.4kg

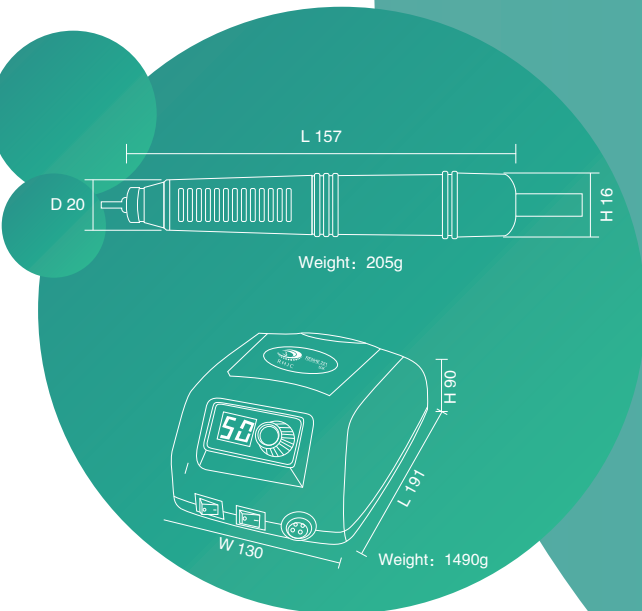
PRIME 221

- Brushless motor
- Max speed: 50000.RPM
- Output voltage: 0 ~ 36V
- Output power: 120W
- Maximum torque: 5.8 N.cm
- Hand/pedal speed control
- Forward/reverse
- Overload protection function
- Fault prompt function
- Pedal constant speed function

Specification of one set	
Size	26*25*10cm
Weight	2.8kg
Specification(carton 8 sets)	
Box size	53*41*37cm
Weight	24kg



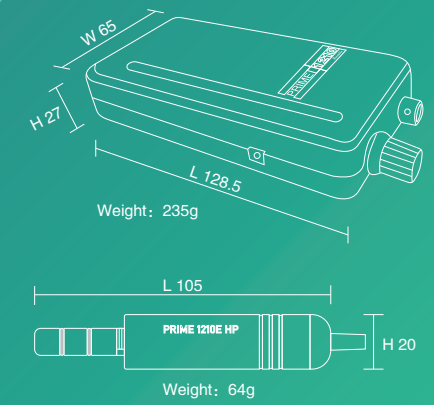
PRIME 221 HP



- Variable speed adjusting knob
- Low noise energy saving technology
- The fuselage does not heat
- 30000.RPM
- Brushless motor
- No shaking of fuselage

PRIME 1210E

- Brushless motor
- Portable
- Max speed: 30000.RPM
- Output voltage: 0 ~ 11V
- Battery specifications: 2600 mAh 12V input
- No-load operation 20h
- Full charge in 3 hours
- Forward/reverse
- Overload protection function
- Ergonomically designed
- Pedal constant speed function



PRIME 1210E HP



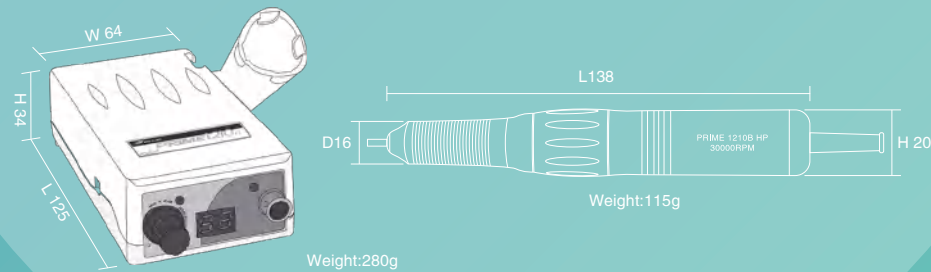
Specification of one set	
Size	19*19*7.5cm
Weight	0.76kg
Specification(carton 24 sets)	
Box size	67*43*35cm
Weight	19.6kg

PRIME 1210D

- Brushless motor
- Portable
- Max speed: 35000.RPM
- Output voltage: 0 ~ 11V
- Battery specifications: 2600mAh 12V input
- No-load operation 20h
- Full charge in 3 hours
- Forward/reverse
- Overload protection function
- Ergonomically designed



PRIME 1210B HP



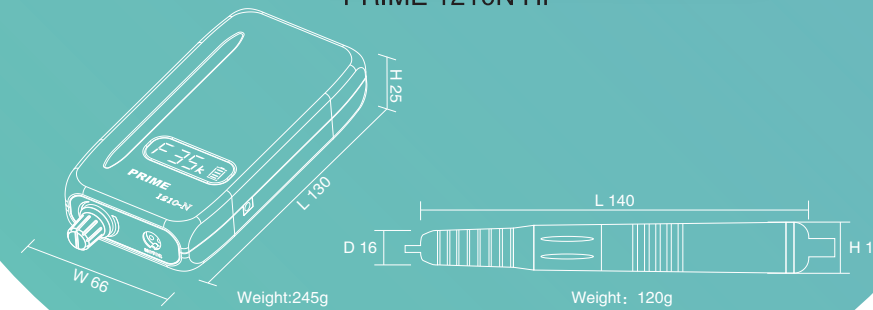
Specification of one set	
Size	21*19*7.5cm
Weight	0.78kg
Specification(carton 24 sets)	
Box size	67*43*35cm
Weight	20kg

PRIME 1210N

- Brushless motor
- Portable
- Max speed: 35000.RPM
- Output voltage: 0 ~ 11V
- Battery specifications: 2600mAh 12V input
- No-load operation 20h
- Full charge in 3 hours
- Forward/reverse
- Overload protection function
- Ergonomically designed



PRIME 1210N HP



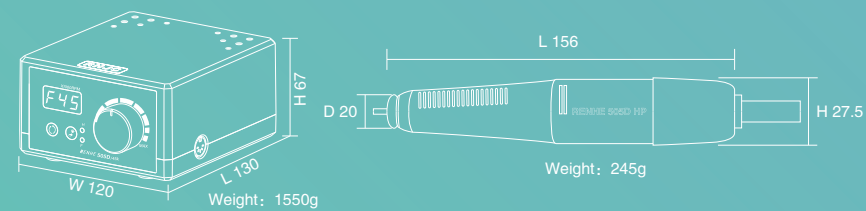
Specification of one set	
Size	21*19*7.5cm
Weight	0.78kg
Specification(carton 24 sets)	
Box size	67*43*35cm
Weight	20kg

RENHE 505D / 45K

- Max speed: 45000.RPM
- Output voltage: 0 ~ 33V
- Output power: 100W
- Maximum torque: 4.2 N.cm
- Hand/pedal control Optional
- Speed pedal control
- Forward/reverse
- Overload protection function
- Fault prompt function
- Collet chuck standard: $\Phi 2.35\text{mm}$
- ※ (Optional $\Phi 3.0\text{mm}$, $\Phi 3.175\text{mm}$)



RENHE 505D 45K HP



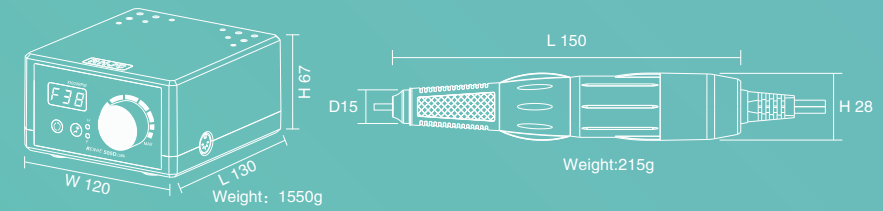
Specification of one set	
Size	25*24*8cm
Weight	2.8kg
Specification(carton 10 sets)	
Box size	53*41*37cm
Weight	29.2kg

RENHE 505D / 38K

- Max speed: 38000.RPM
- Output voltage: 0 ~ 33V
- Output power: 80W
- Maximum torque: 3.2 N.cm
- Standard ON/OFF pedal
- Digital display speed
- Hand/pedal control Optional
- ※ (Speed pedal control Optional)
- Forward/reverse
- Overload protection function
- Fault prompt function
- Collet chuck standard: $\Phi 2.35\text{mm}$
- ※ (Optional $\Phi 3.0\text{mm}$, $\Phi 3.175\text{mm}$)



RENHE 505D 38K HP



Specification of one set	
Size	25*24*8cm
Weight	2.5kg
Specification(carton 10 sets)	
Box size	53*41*37cm
Weight	25.8kg

RENHE SENSE A3a

- Max speed: 35000.RPM
- Output voltage: 0 ~ 33V
- Output power: 70W
- Maximum torque: 3.0 N.cm
- Standard ON/OFF pedal
- Digital display speed
- Hand/pedal control Optional
- ※ (Speed pedal control Optional)
- Forward/reverse
- Overload protection function
- Fault prompt function
- Collet chuck standard: $\Phi 2.35\text{mm}$
- ※ (Optional $\Phi 3.0\text{mm}$, $\Phi 3.175\text{mm}$)

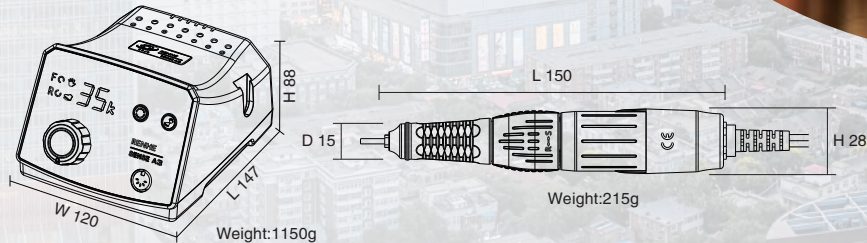


RENHE SENSE A3a HP

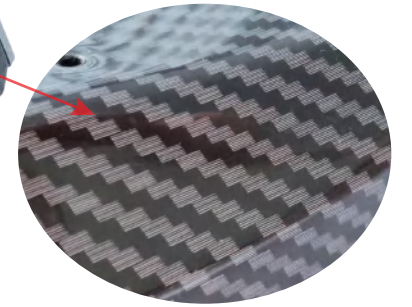


RENHE SENSE A3a HP

Specification of one set	
Size	24.6*21.4*9.6cm
Weight	1.9kg
Specification(carton 12 sets)	
Box size	53*47*33cm
Weight	24.1kg



Carbon fiber effect shell
(Customized)



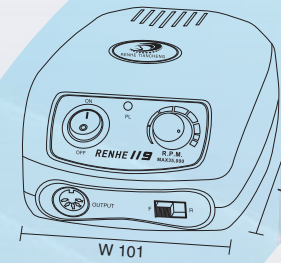
Local detail diagram

RENHE 119

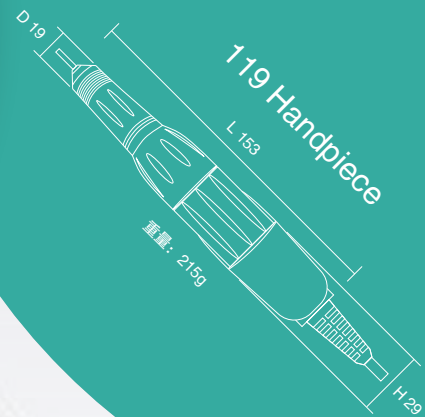
- Max speed: 35000.RPM
- Output voltage: 0 ~ 33V
- Output power: 65W
- Maximum torque: 2.8 N.cm
- Standard ON/OFF pedal
- Hand/pedal control Optional
- ※ (Speed pedal control Optional)
- Forward/reverse
- Overload protection function
- Collet chuck standard: $\Phi 2.35\text{mm}$
- ※ (Optional $\Phi 3.0\text{mm}$, $\Phi 3.175\text{mm}$)



RENHE 119 HP

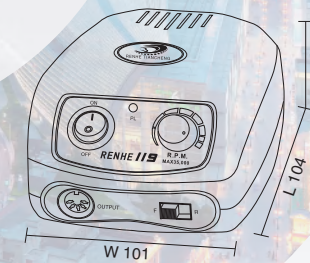


Weight: 970g



119 Handpiece

重量: 215g



Weight: 970g

119S Handpiece

重量: 215g

RENHE 119S

- Max speed: 35000.RPM
- Output voltage: 0 ~ 33V
- Output power: 65W
- Maximum torque: 2.8 N.cm
- Standard ON/OFF pedal
- Hand/pedal control Optional
- ※ (Speed pedal control Optional)
- Forward/reverse
- Overload protection function
- Collet chuck standard: $\Phi 2.35\text{mm}$
- ※ (Optional $\Phi 3.0\text{mm}$, $\Phi 3.175\text{mm}$)



RENHE 119S HP

Specification of one set	
Size	24.5*24*9cm
Weight	1.91kg
Specification(carton 12 sets)	
Box size	53*47*33cm
Weight	24.2kg

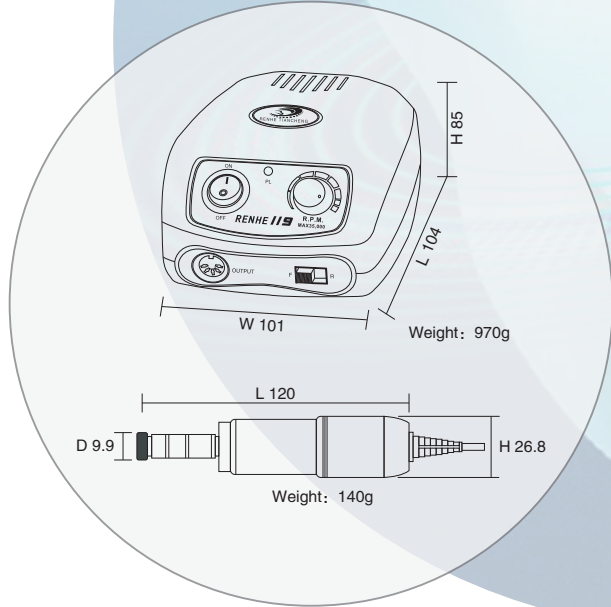
Specification of one set	
Size	24.5*24*9cm
Weight	1.9kg
Specification(carton 12 sets)	
Box size	53*47*33cm
Weight	24.1kg

RENHE 119 / 35EI

- Max speed: 35000.RPM
- Output voltage: 0 ~ 33V
- Output power: 65W
- Maximum torque: 2.8 N.cm
- Standard ON/OFF pedal
- Hand/pedal control Optional
- ※ (Speed pedal control Optional)
- Forward/reverse
- Overload protection function



RENHE 35EI-TYPE



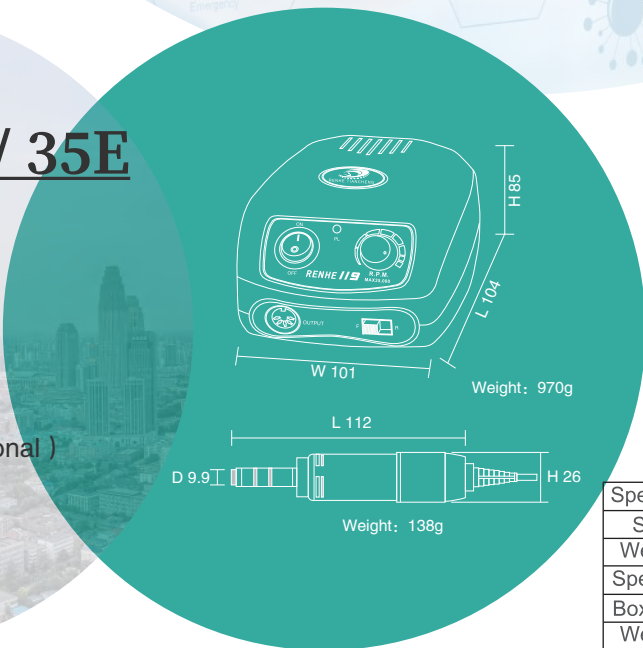
Specification of one set	
Size	24.5*21*9cm
Weight	1.82kg
Specification(carton 12 sets)	
Box size	53*47*33cm
Weight	23.2kg

RENHE 119 / 35E

- Max speed: 35000.RPM
- Output voltage: 0 ~ 33V
- Output power: 65W
- Maximum torque: 2.8 N.cm
- Standard ON/OFF pedal
- Hand/pedal control Optional
- ※ (Speed pedal control Optional)
- Forward/reverse
- Overload protection function



RENHE 35E-TYPE



Specification of one set	
Size	24.5*21*9cm
Weight	1.82kg
Specification(carton 12 sets)	
Box size	53*47*33cm
Weight	23.2kg

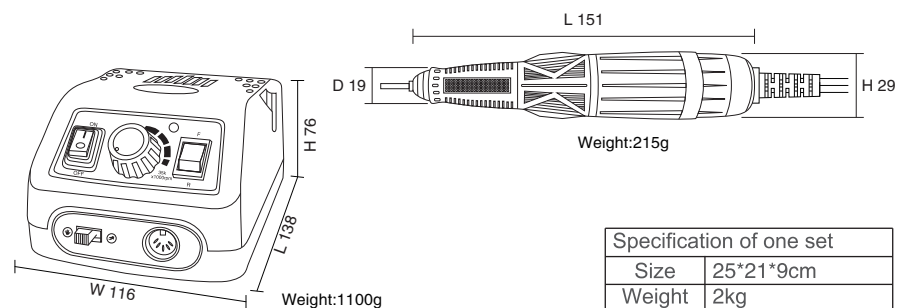


RENHE 315 HP

(ON/OFF Pedal)

RENHE 315

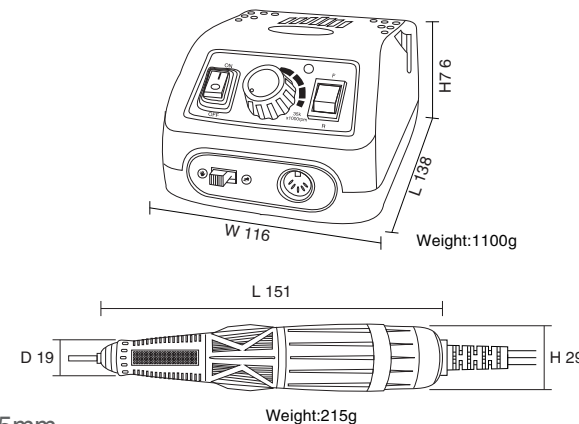
- Max speed: 35000.RPM
- Output voltage: 0 ~ 33V
- Output power: 70W
- Maximum torque: 3.0 N.cm
- Standard ON/OFF pedal
- Hand/pedal control Optional
- Forward/reverse
- Overload protection function
- Emergency stop
- Collet chuck standard: Φ 2.35mm
- ※ (Optional Φ 3.0mm, Φ 3.175mm)



Specification of one set	
Size	25*21*9cm
Weight	2kg
Specification(carton 12 sets)	
Box size	53*47*33cm
Weight	25.5kg

RENHE 315

- Max speed: 35000.RPM
- Output voltage: 0 ~ 33V
- Output power: 70W
- Maximum torque: 3.0 N.cm
- Hand/pedal control Optional
- Speed pedal control
- Forward/reverse
- Overload protection function
- Emergency stop
- Collet chuck standard: Φ 2.35mm
- ※ (Optional Φ 3.0mm, Φ 3.175mm)



RENHE 315 HP

(Speed pedal control)

Specification of one set	
Size	25*21*9cm
Weight	2.2kg
Specification(carton 12 sets)	
Box size	53*47*33cm
Weight	27.9kg

Brushless Handpiece



PRIME SENSE A7 HP 55000.RPM



PRIME SENSE A6 HP 55000.RPM



PRIME 926 HP 60000.RPM



PRIME 407 HP 50000.RPM



PRIME 202 HP 50000.RPM



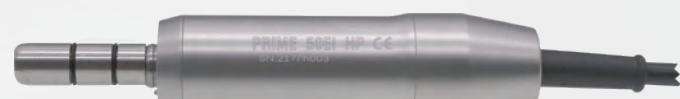
PRIME 115 HP 50000.RPM



PRIME 221 HP 50000.RPM



PRIME 1210B HP 35000.RPM



RENHE 50EI-TYPE 50000.RPM



RENHE 1210-TYPE 30000.RPM

DC Motor Handpiece



RENHE 505D 45K HP 45000.RPM



RENHE 119S HP 35000.RPM



RENHE 505D 38K HP 38000.RPM



RENHE 119 HP 35000.RPM



RENHE SENSE A3a HP 35000.RPM



RENHE 315 HP 35000.RPM



RENHE MT 30K HP 30000.RPM



RENHE 107 MT HP 35000.RPM



RENHE 35EI-TYPE 35000.RPM



RENHE 35E-TYPE 35000.RPM

Global marketing

Over 50 countries and regions of the world

Asia

China, Japan, South Korea, Iran, India, Thailand, Vietnam, Bangladesh, Philippines, Iraq, Turkey, Syria, Uzbekistan, Pakistan, Kazakhstan, Indonesia

European

Russia, Ukraine, Italy, Norway, Britain, Germany, Spain, Hungary, Romania, Greece, Portugal

South America

Colombia, Ecuador, Peru, Brazil, Argentina

In North America

USA, Mexico

Africa

Algeria, Tunisia, South Africa, Egypt, Morocco

Oceania

Australia

